

Clever Little Box

o VCA-1A Voltage Controlled Attenuator

The VCA-1A is ideal for both commercial public address amplifiers and professional stereo amplifiers, allowing remote control of the volume levels via a remote 2 core cable link.

Comprising of a two channel control box and two volume control plates, the main unit is positioned between the amplifier and pre-amplifier/mixer, increasing or decreasing the signal between the units.

The system can be configured to operate as:

- Mono (1 channel in use)
- Stereo A (2 independent channels in use)
- Stereo B (1 plate controlling both channels simultaneously)

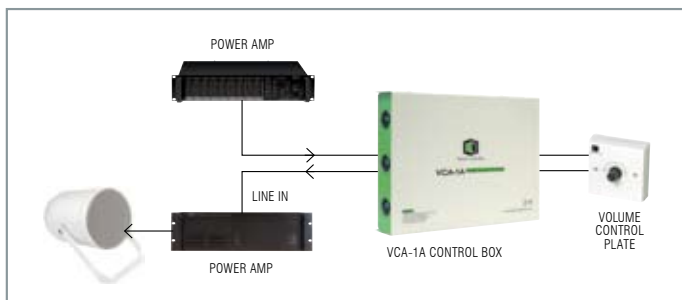
Applications include bars, retail sites, classrooms and industrial sites.



Specifications:

Model:	VCA-1A:
Case Material	Powder coated steel
Power	230v AC or 24v DC
Dimensions	162(H) x 220(W) x 44(D) mm
Weight	1.5kg

Mono Operation:



Stereo Operation:

